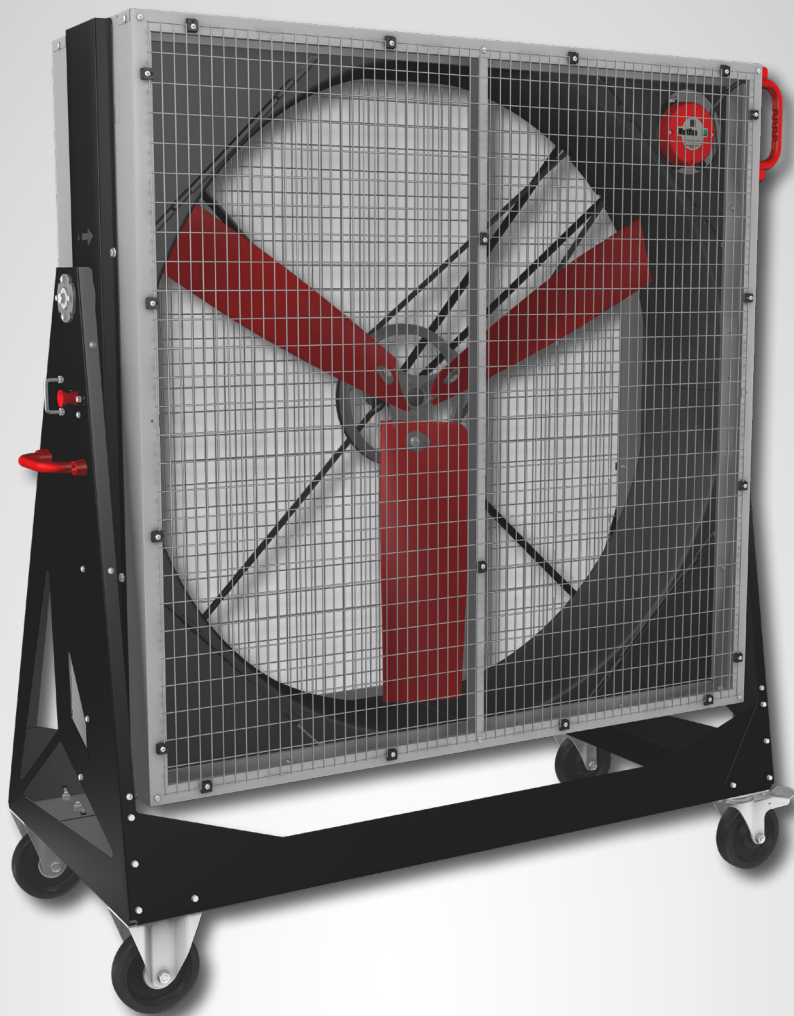


Mobile Fans

High flexibility and serious airflow



Multifan Mobile Fans

New: Multifan Tramontana

The Multifan Tramontana, named after the strong and cool northern wind phenomena, combines high performance with high flexibility in transport, maneuvering and positioning. The Tramontana can be used in a wide range of areas and in the most demanding environments. It is ideal to use as backup ventilation in case of unexpected or extreme circumstances. The Tramontana is equipped with our energy efficient ECplus fan technology.



Why choose this fan:

- Significant energy savings
- Positioning flexibility: can be tilted upwards (max. 18°) and downwards (max. 10°)
- 3-year warranty on the motor
- Ideal to use as emergency ventilation
- Suitable for wide range application areas (industry, agriculture, construction, leisure, commercial etc.)
- Easy to move around and transport

Multifan Tramontana features:

- Materials resistant against corrosive climates
- Energy efficient fans up to 20.9 W/1000m²/h
- ECplus technology for more efficiency
- Air volume up to 31.100 m³/h
- High throw: 95 meters
- Water and dust resistant (IP55)
- Infinitely variable speed control allowing a smooth and precise ventilation system

Options:

- Available in 40, 50 and 130 cm
- Available in 50Hz and 60Hz.
- Cable and plug (included at the Tramontana)

Multifan Mobile Fans

The Mobile Fans are also available in a 40 and 50 cm version. These fans have a low weight, are stackable and easy to transport. Mobile fans are applied for heavy duty, high moisture laden ventilation, circulation, exhaust and drying applications where portability is required. Typically used for cooling athletic or outdoor events, warehouses and machines where large volume air circulation is desired.

Especially for events, we have the Stage Fan. This fan is specifically developed for concerts, music festivals or sport arenas. Because of its black colour it perfectly blends in on stages.

Please, contact our Vostermans Ventilation team for more information or technical details.



Tramontana 130 cm



Mobile Fan 40 and 50 cm



Stage Fan 40 cm



Multifan products are well-known for consistent high quality, durability and longevity with worldwide availability. Our motors are produced in-house, and by creating the optimal motor-impeller combination we ensure energy efficient and high performance fans.

Service

Our well trained dealer network, on a location near you will provide advice and service. They can define your specifications at the start of your project, support you with the installation and maintain your equipment after installation. When needed, the Vostermans Customer Care team is available for additional support. We enjoy sharing our knowledge, based on more than 65 years of experience in ventilation and circulation.

Technical data

Power supply*			Size	Item	P _{in} (W)	SFP (W/1000m ³ /h)	I _{nom} (A)	Q (m ³ /h) 0 Pa	L _{pa} dB (A)**	Throw (m)***
1~	230V	50/60Hz	130	B4D13A2M110MFD	650	20,9	4,6	31.100	60	95
1~	230V	50Hz	40	B4E40A0M11100	250	46,3	1,2	5.300	56	49
1~	230V	50Hz	50	B4E50A0M11100	420	45,8	1,9	9.050	53	67

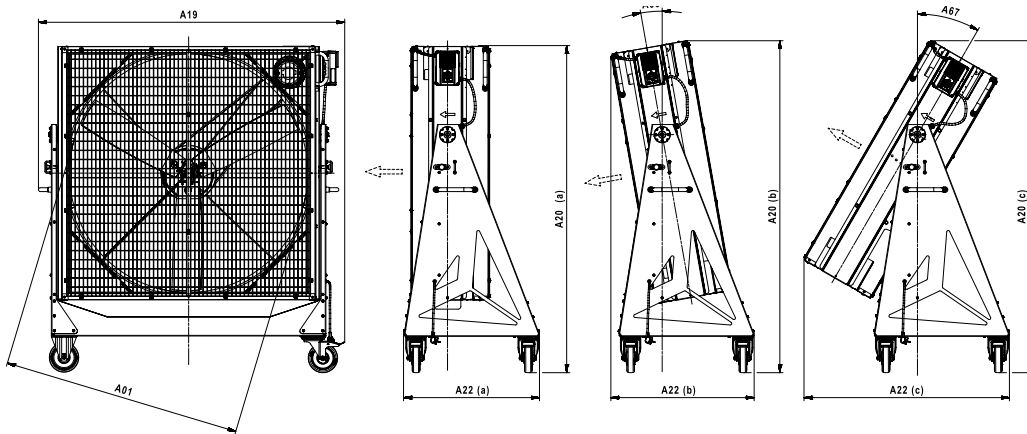
* 3~ and 60Hz available on request.

** Sound pressure level measured at 7 meter free blowing distance.

*** Throw is the distance at which the peak velocity has fallen to 0,5 m/s (measured in an infinite room without obstructions).

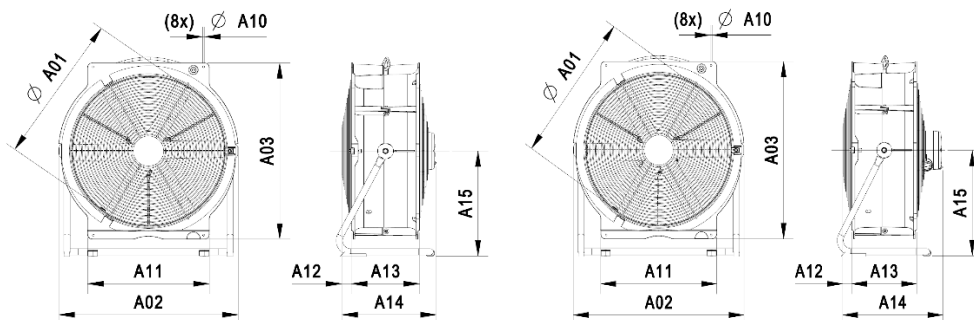


Dimensions



Dimensions Tramontana 130 cm

A01	A19	A20			A22			A66	A67
		(a) 0°	(b) 9°	(c) 18°	(a) 0°	(b) 9°	(c) 18°		
1284	1671	1784	1810	1815	742	781	967	10°	0° / 9° / 18°



Mobile fan 40 and 50 cm

Diameter	A01	A02	A03	A10	A11	A12	A13	A14		A15
								Figure 1	Figure 2	
40	420	515	520	6,5	365	37	216	320	358	304
50	518	620	620	6,5	420	33	236	327	365	369



A John M. Ellsworth Company

John M. Ellsworth Co., Inc.

P.O. Box 240072
8700 West Bradley Road
Milwaukee, WI 53224

800-333-3331 **PHONE**
800-563-8848 **FAX**

info@jmesales.com **E-MAIL**
www.JMESales.com **WEB**